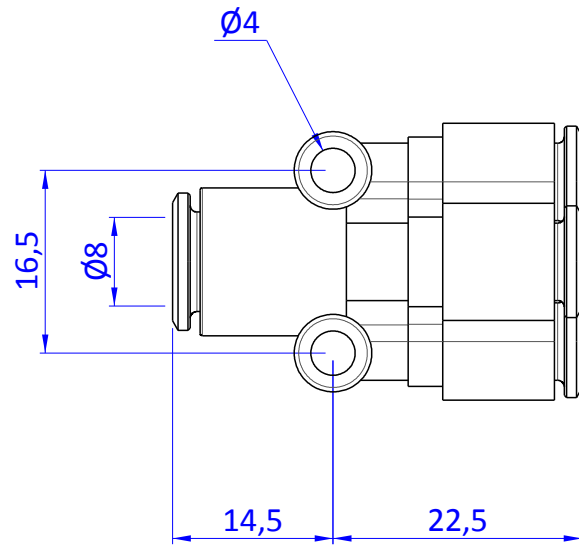
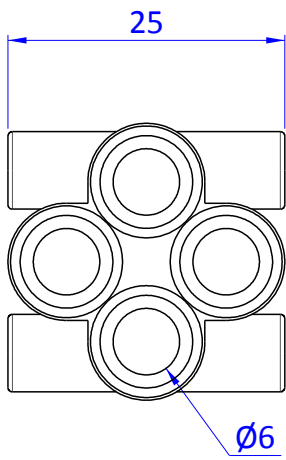
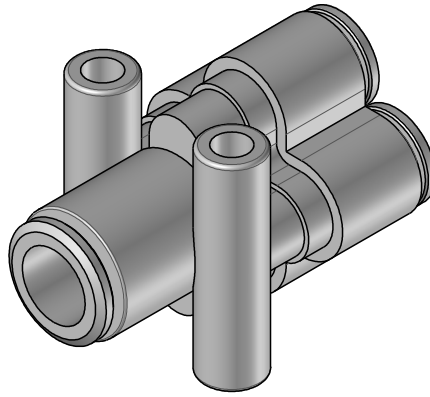

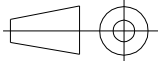


THE PROPERTY OF THE DRAWING IS ESTABLISHED BY LAW. IT IS FORBIDDEN TO PRODUCE OR SHOW IT TO THIRD PART. WITHOUT A WRITTEN AGREEMENT.



<b>Format</b> A4  UNI 936-76	 FPS SERVICES AUTOMATION			DESIGNED FROM <b>FPS Automation</b>		REVIEW <b>A</b>
	GENERAL TOLERANCE UNI - ISO 2768 CLASSE f			DATE 24/10/2016		WEIGHT 0,017kg
	DESCRIPTION  CA.12.05.009			CODE CA.12.05.009		